

DRAWING NO.
SD079848

| REV | DATE | DESCRIPTION | ECO | BY | CHK'D |
|-----|------------------------|----------------------|-------|----|-------|
| K | 05/22/2015 00:00:00 AM | FORM REQUEST & PARTS | 40359 | SV | MB |

| CATALOG NUMBER | STRANDED COPPER CONDUCTOR ACCOMMODATED | | | BOLT SIZE | METRIC BOLT SIZE | DIMENSIONS | | | | | | | |
|----------------|--|------|----------------------------|-----------|------------------|------------|----------|-----------|-----------|-----------|----------|----------|---------|
| | CODE (AWG) | NAVY | METRIC SIZE (CLASS 2) | | | B | C | K DIA. | L | N | O.D. | T REF. | Z MIN. |
| YA26L2 | 2/0 AWG | 125 | 70mm ² STR [11] | 1/4 | M6 | .94 [24] | .83 [21] | .27 [21] | 1.94 [49] | .25 [6] | .56 [14] | .12 [3] | .33 [8] |
| YA26L3 | | | | 5/16 | ---- | .83 [21] | .33 [8] | 2.06 [52] | .34 [9] | .12 [3] | .36 [9] | | |
| YA26L | | | | 3/8 | ---- | .83 [21] | .40 [10] | 2.19 [56] | .41 [10] | .12 [3] | .42 [11] | | |
| YA26L6 | | | | 1/2 | M12 | .83 [21] | .53 [13] | 2.44 [62] | .53 [13] | .12 [3] | .55 [14] | | |
| YA26L7 | | | | 5/8 | M16 | .90 [23] | .69 [18] | 2.69 [68] | .66 [17] | .11 [3] | .67 [17] | | |
| YA26L60 | | | | 2/0 AWG | ---- | 3/4 | ---- | 1.02 [26] | .81 [21] | 2.96 [75] | .75 [19] | .56 [14] | .10 [3] |

| CONNECTOR SIZE | TOLERANCES | | | | | |
|----------------|------------|------|--------|------|------|------|
| | B | C | K DIA. | L | N | O.D. |
| -8C THRU -25 | ±.06 | ±.04 | ±.02 | ±.09 | ±.03 | ±.01 |
| -26 THRU -34 | ±.08 | ±.04 | ±.02 | ±.12 | ±.03 | ±.01 |
| -35 AND UP | ±.09 | ±.06 | ±.02 | ±.15 | ±.06 | ±.01 |

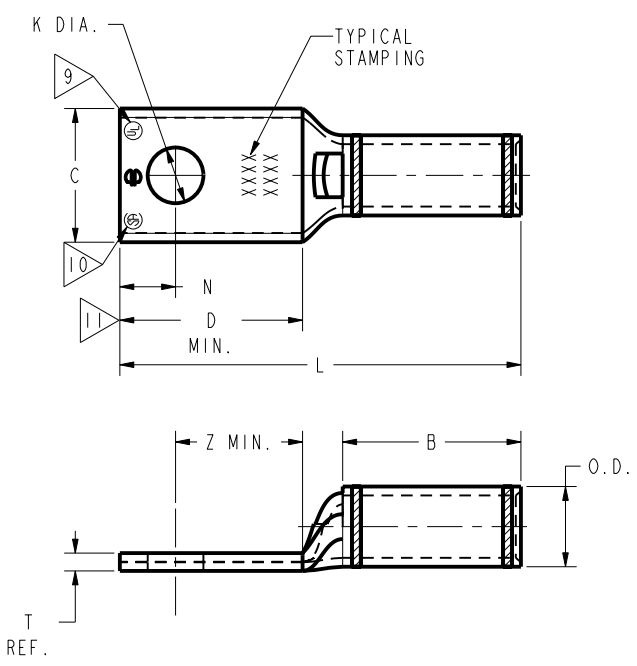
TOLERANCE BLOCK

INSTALLATION TOOLING (# CRIMPS)

| CATALOG NO. | COLOR CODE | DIE INFORMATION | | MECHANICAL | | | | HYDRAULIC | | | | DIELESS (# CRIMPS) | WIRE STRIP LENGTH | |
|--|------------|-----------------|---------------|------------|----------|----------------------------------|----------------------------------|----------------------------------|--------------------|-----------------------|-----------|--------------------|---|-----|
| | | DIE INDEX | TYPE | YIMRTC | OUR840 | MD6 MD7 | MD6--R2 MD7-34R | Y500CT PATMD6 PAT600 | Y34A Y34B Y34BH | Y35, Y39 Y750, PAT750 | Y46 PAT46 | | | Y45 |
| YA26L2 YA26L3 YA26L YA26L6 YA26L7 YA26L60 | BLACK | 13 | BLACK DIE SET | ---- | X26RT(2) | X26RT(2) W26RT(2) W26VT(2) | X26RT(2) W26RT(2) W26VT(2) | X26RT(2) W26RT(2) W26VT(2) | ---- | U26RT(1) | U26RT(1) | U26RT(1) | MECHANICAL MY29-3(1) MY29-11(1) MRC840 (2) | 1" |
| | | | NEST | ---- | ---- | ---- | ---- | ---- | A26D(1) B26D(1) | U26D-1(1) | U26D-1(1) | U26D-1(1) | HYDRAULIC: Y644 (1) Y81KFT (1) Y4PC834 (1) | |
| | | | INDENTOR | ---- | ---- | ---- | ---- | ---- | Y34PR | Y34PR | Y34PR | Y34PR | | |

NOTES:

- MATERIAL: COPPER TUBING.
- FINISH: TIN PLATED.
"FOR ALTERNATIVE FINISH ADD ONE OF THE FOLLOWING SUFFIXES:
NICKEL = NK, LEAD = LD, BARE = BR, SILVER = SV"
- CATALOG # PT6515 ADAPTOR IS REQUIRED TO USE "U" DIES IN Y45 SERIES TOOLS.
- CATALOG # PUADP-1 ADAPTOR IS REQUIRED TO USE "U" DIES IN Y46 SERIES TOOLS.
- Y35P3 INDENTOR ADAPTOR REQUIRED FOR Y34PR INDENTOR.
- PERMANENT DIE IN TOOLING.
- DIMENSIONS IN BRACKETS [] ARE IN MILLIMETERS ROUNDED OFF TO THE NEAREST MILLIMETER, UNLESS OTHERWISE NOTED, AND ARE FOR REFERENCE ONLY.
- FOR USE BY CUSTOMERS THAT HAVE THIS HYPRESS™. NO NEW Y34A HYPRESS™ TOOLS ARE BEING PROCESSED. Y34A USES A--D NEST DIES ONLY.
- CONNECTORS ARE UL LISTED; UNDRILLED VERSIONS ARE NOT UL LISTED.
- CONNECTORS ARE CSA CERTIFIED. UNDRILLED VERSIONS ARE NOT CSA CERTIFIED.
- FOR UNDRILLED VERSIONS ADD SUFFIX "-U" TO END OF CATALOG NUMBER.
FOR UNDRILLED VERSIONS, USE D MIN. = N MAX. + Z MIN.
- "X", "W-RT", "W-VT", "U" & "L" DIE SETS ARE COLOR CODED. "A", "B" AND "C" DIES ARE NOT COLOR CODED. NESTS AND INDENTOR TYPE ARE NOT COLOR CODED.
- THESE PARTS CAN BE ORDERED WITH NO INK MARKING ON THE BARREL. THE CATALOG NUMBERS FOR THESE PARTS ARE YA26L2G1, YA26L3G1, YA26LG1 AND YA26L6G1.



REFERENCE: SE209240

TO ORDER BURNDY® PRC

| | |
|----------------|--------------------|
| COPPER HYLUG™ | |
| ITEM NO: | N/A |
| CAT. NO: | YA26-L (SEE TABLE) |
| DRAWN BY: | J MITCHAUD 8/9/94 |
| CHECKER: | D FILLION 10/9/94 |
| DSN APPVL: | C PALAGI 8/19/94 |
| MFG APPVL: | N/A |
| QA APPVL: | C ACKERMAN 9/30/94 |
| MKT APPVL: | T NELSON 9/7/94 |
| PROD FAM: | CM&R COMPRESSION |
| PROJECT #: | --- |
| DOCUMENT TYPE: | Sales |
| REL LEVEL: | Released |
| DRAWING NO: | SD079848 |
| REV: | K |
| SCALE: | 1:1 |
| SHEET: | 9 OF 17 |

REV: PE0200